

T-BAR SYSTEM FOR GRID CEILING

WEISS HELLAS-INTERNA S.A. produces a wide range of suspension beam for tiles (mineral tiles, steel tiles, gypsum tiles) which is consisted of a T-BAR system.

Their cross sections are manufactured by galvanized steel Z-275 and their apparent sides are coated by pre-painted steel polyester paint.

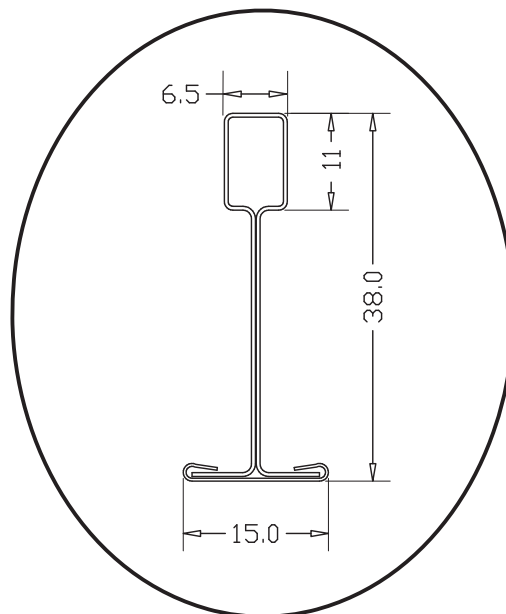
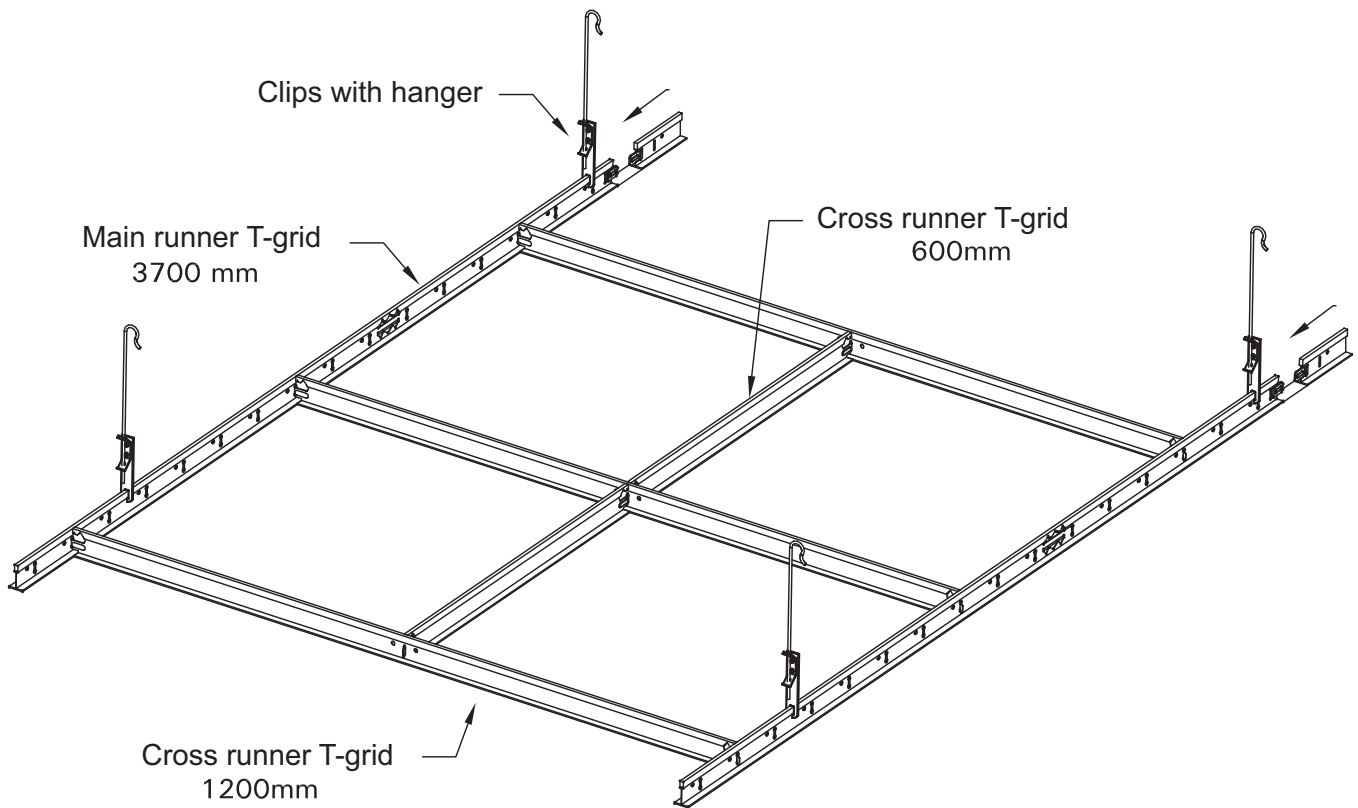
There are two types of T-Bar systems, depending on structural requirements: the simple T-BAR system and the T-BAR clip system which is a clip system with resistance to earthquake. Its beams are also resistant to seismic charges.

The main runner is the same for both of two systems.

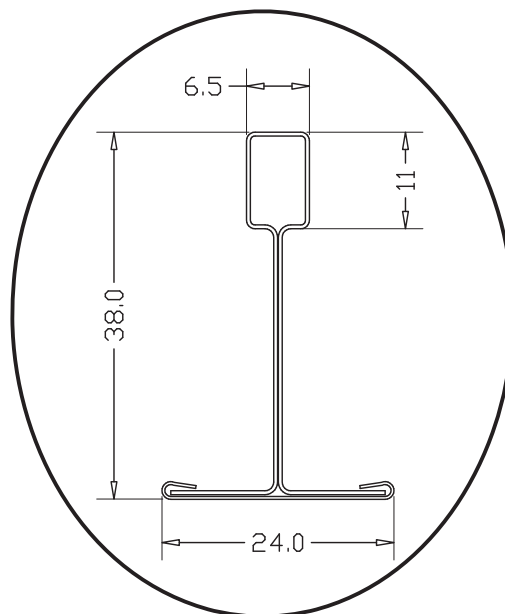
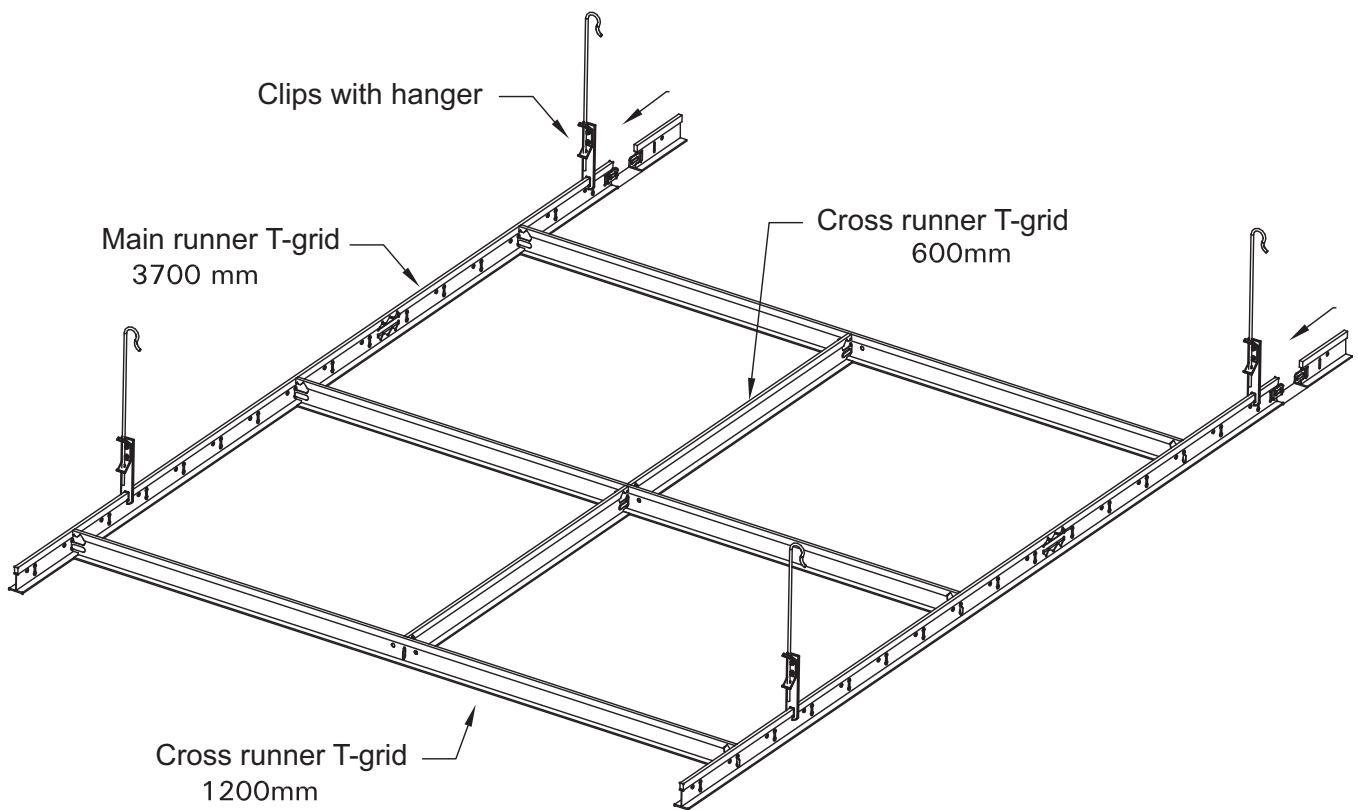
Because of the automated unit production, the big variety of models of mold, there is a production capacity of a T-BAR in different dimensions (except for standard MODUL 600, eg MODUL 625).

The suspension beam is completed with wall angles for T-BAR system which are also sections of galvanized steel in various dimensions.

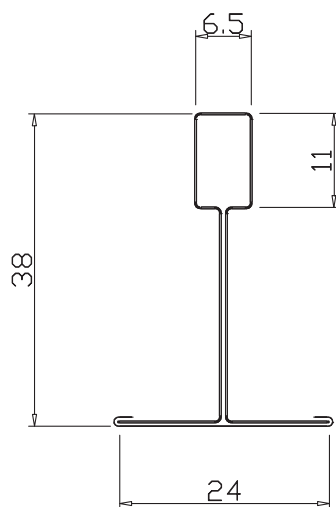
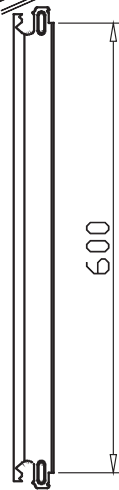
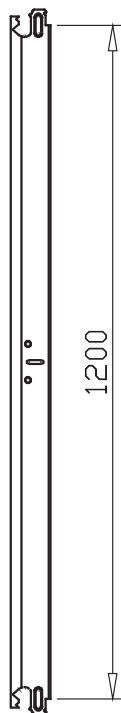
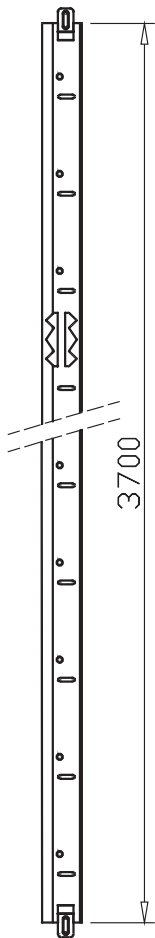
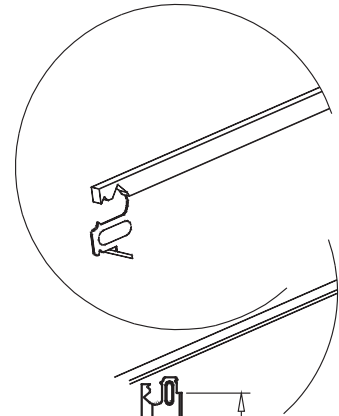
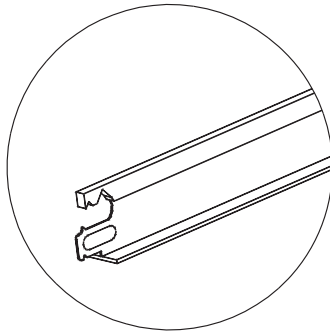
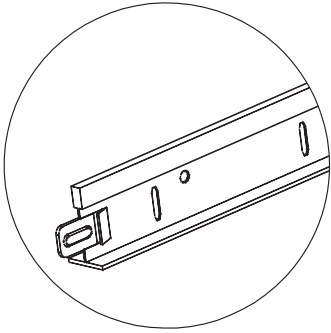
T-bar system 15 mm



T-bar system 24 mm



T bar system 24 mm
Modul 600



T bar system 24 mm (CLIPS)
Modul 600

